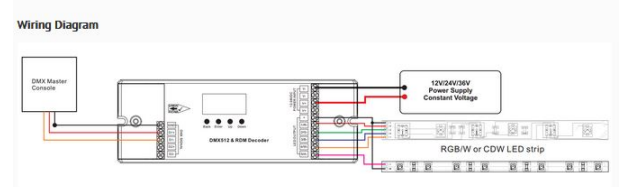
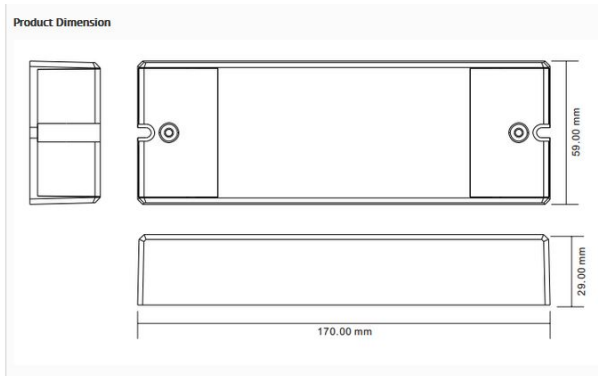


## Synergy 21 LED Controller DMX 512 4\*5A 16bit



Model 4 channel  
Controller with DMX & RDM interface  
and connection strip for LED-Stripes  
with common positive pole  
12V/24V, up to 5 A per channel,  
Dimensions: 59x170x29mm  
DMX-512 digital signals  
8bit and 16bit switchable  
Display for setting the DMX address

## Additional Images



## Accessories

Part No.	Name
90964	Synergy 21 LED Controller DMX 512 Master
81069	Synergy 21 LED zub Hollow Socket with Screw Terminals
81068	Synergy 21 LED zub wooden plug with screw terminals
181756	Synergy 21 LED Kabel DMX RJ-45 -> XLR