

POWERGEAR®

EUROPE

Version: 3.00

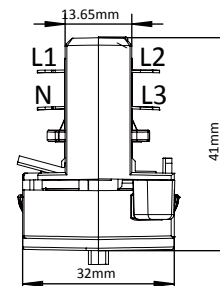
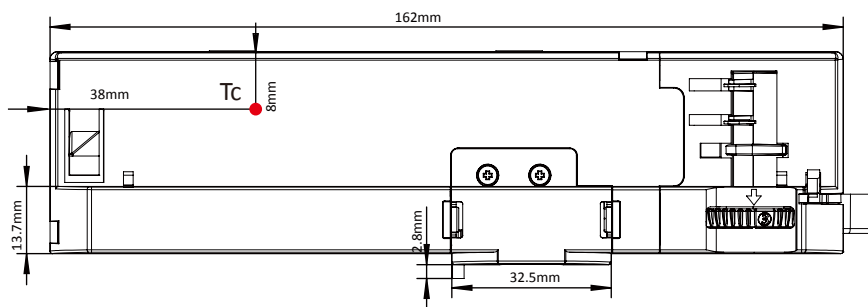
Datasheet | 4 wires 3 circuits ultimate adaptor - 50W



Picture for reference only

Product code	PRO-UA450N
Color	Black / Grey / White
Color code	RAL 9011 / 7040 / 9010
Main materials	PC UL94V0+Copper
Inner package QTY	N/A
Unit weight	N/A
Outer package QTY	50 PCS
Gross weight	N/A
Package size	370*255*288mm
Voltage & Max.load	220~240Vac, 50/60Hz, 50W, 50N

Dimensions (mm)



Notes:
 Apply to POWERGEAR
 3 circuits track system
 Screws enclosed,
 nipple optional
 Max units per circuit
 breaker:
 B16:52
 B10:32

Current adjustment by DIP SW.

DIP Switch



Current	1	2	3	4	Pout(W)	Current	1	2	3	4	Pout(W)
925mA	OFF	OFF	OFF	OFF	8.3-37.0W	1125mA	ON	OFF	OFF	OFF	10.0-45.0W
950mA	OFF	OFF	OFF	ON	8.6-38.0W	1150mA	ON	OFF	OFF	ON	10.4-46.0W
975mA	OFF	OFF	ON	OFF	8.8-39.0W	1175mA	ON	OFF	ON	OFF	10.6-47.0W
1000mA	OFF	OFF	ON	ON	9.0-40.0W	1200mA	ON	OFF	ON	ON	10.8-48.0W
1025mA	OFF	ON	OFF	OFF	9.2-41.0W	1225mA	ON	ON	OFF	OFF	11.0-49.0W
1050mA	OFF	ON	OFF	ON	9.5-42.0W	1250mA	ON	ON	OFF	ON	11.3-50.0W
1075mA	OFF	ON	ON	OFF	9.7-43.0W	1250mA	ON	ON	ON	OFF	11.3-50.0W
1100mA	OFF	ON	ON	ON	9.9-44.0W	1250mA	ON	ON	ON	ON	11.3-50.0W

Notes:
 Before use, choose the right current
 Pout(W): COB Power

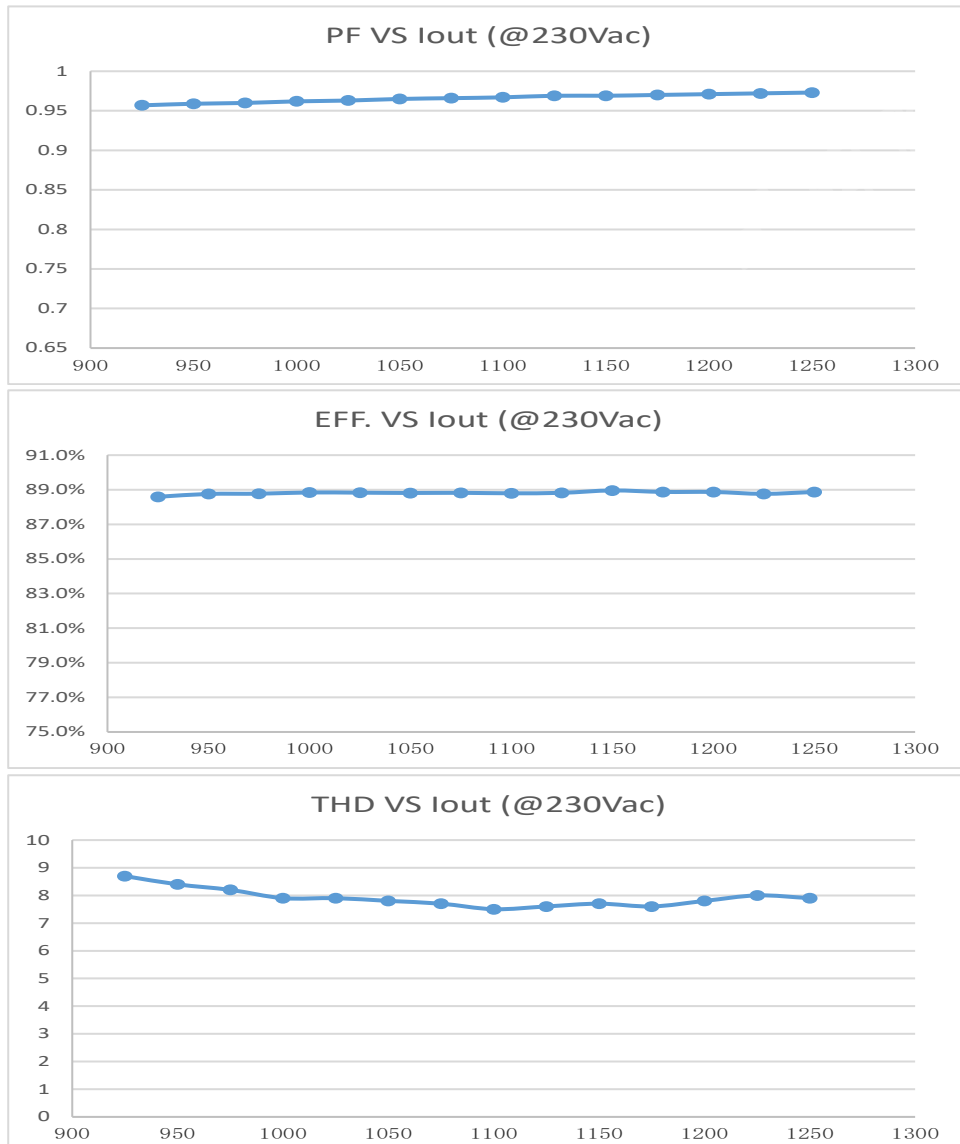


Specification

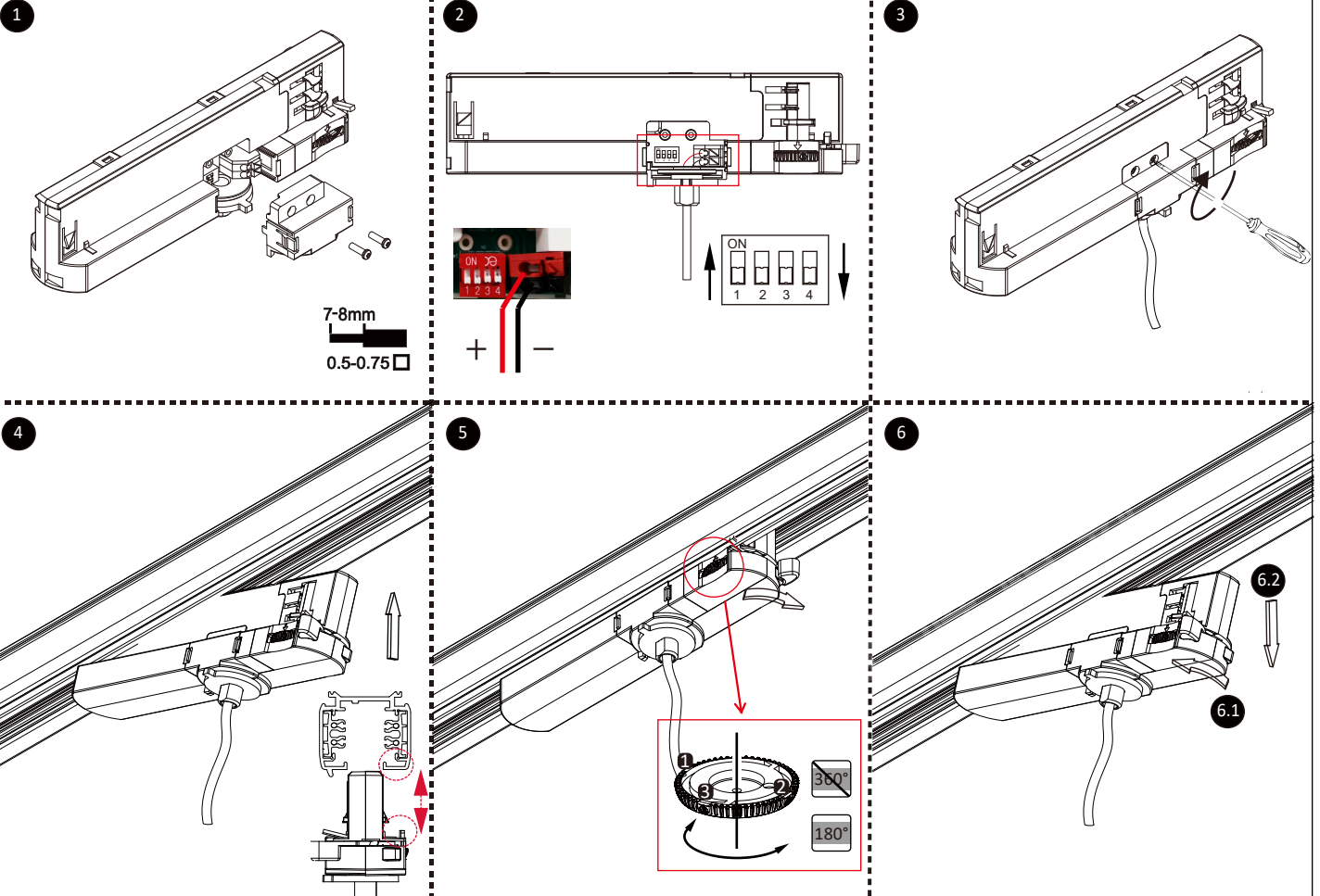
Voltage(Uin)	Nominal Voltage:220~240Vac; AC Voltage:180-265Vac;
Current(Iin)	300mA Max. @Full Load, 200Vac
THD	< 15%, @Full Load, 230Vac
Power factor	0.9, @Full Load, 230Vac 50/60Hz
Efficiency Inrush	88% @Full Load, 230Vac
current	< 90A (50% Ipeak, twidth=1.5us@AC240V)
Voltage(Uout)	9-40Vdc, Max Voltage 48Vdc Max.
Current(Iout)	925/950/975/1000/1025/1050/1075/1100/1125/1150/1175/1200/1225/1250 mA ±5%
Power(Pout)	50W
Standards	IEC 61347,IEC 61000-3-2,IEC 61000-4-11,IEC 61000-4-2,IEC 55015...
Ta / Tc:	0°C~35°C / 65°C
Surge:	L / N 1Kv, LN / PE 2Kv, acc. IEC 61000-4-5
Protection	Short-circuit, Open-circuit, Overvoltage
Expected Lifetime	50,000 hours @ Tc 65°C

Current Ripple < 3%
(< 1000Hz, ripple/average)

Driver Typical Specification



Installation please read carefully before installing



Troubleshooting

- 1.The luminaire power abnormal: Please check the dip switch and ensure that it is in the right position;
- 2.The final track connector is not powered, and the lamp cannot be turned on: check the "+" and "-" polarity of the lamp, do not reverse the connection, and ensure that the wiring is firm;
- 3.The handle is not opened smoothly: there are directional requirements when installing the product, please refer to Figure 4;
- 4.Cannot be disassembled from the track: Please refer to the sequence in Figure 6. If the sequence is wrong, it cannot be opened.

Disclaimer

- 1.It is forbidden to apply paint, glue, etc. to this product;
- 2.It is recommended to use the original track system or the promised brand track;
- 3.This product is suitable for taking electricity indoors, not outdoors;
- 4.This product has passed the safety and electromagnetic compatibility certification, because the margin of electromagnetic compatibility is related to the length of the lamp wire and the wiring method, please reconfirm before use;
- 5.If the structure or wiring of this product is not used/modified according to the operating instructions, resulting in damage to this product or related products, the product cannot continue to maintain the after-sales commitment;
- 6.Product optimization and version upgrade will not be prior noticed. Please refer to the actual product received. If you have any questions, please contact our sales staff in time;
- 7.The final interpretation right of this material belongs to POWERGEAR;

Notes:

1. The LED driver relies upon the luminaire enclosure for protection against accidental contact with live parts.
2. The LED driver is used for track system mounted on ceiling.
3. The components are unsuitable for the connection of inductive loads.
4. It is the user's responsibility to ensure electrical, mechanical and thermal compatibility between the track system and luminaires attached to it.

