

## Synergy 21 ARGOS in-ground spotlight round mini IP54 cw



kwh/1000h:	0,50
Lumens:	100
Watt:	0,6
Nominal Service Life:	35000 Std.
Switching Cycles:	15000
Opt. Ambient Temperature.:	25 °C



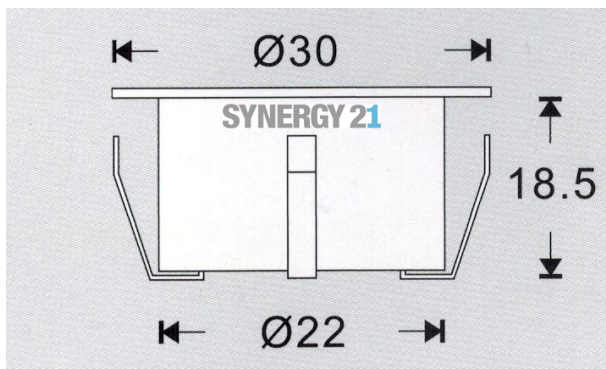
Voltage: DC 12V  
Power: 0,6W  
LED light colour: cw, 6000K ±150  
LED: 1 piece SMD2835  
Cover: tempered glass, loadable up to 100kg  
Material: 304/316 stainless steel  
Protection class: IP54  
Size: Ø 30mm, height 18.5mm  
Installation dimension: Ø 24mm  
Weight: 20g  
Connection cable: AWG22 (2-pole) with AMP plug

### Attributes

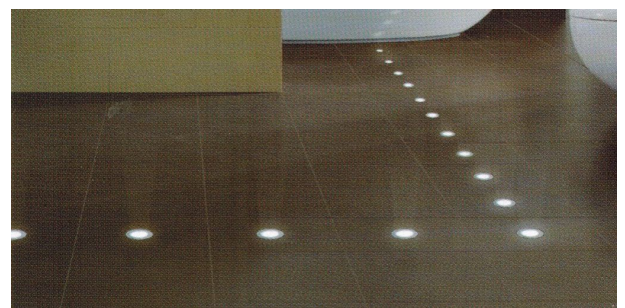
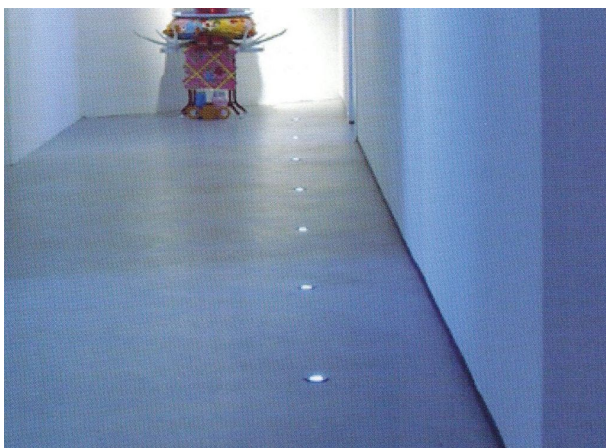
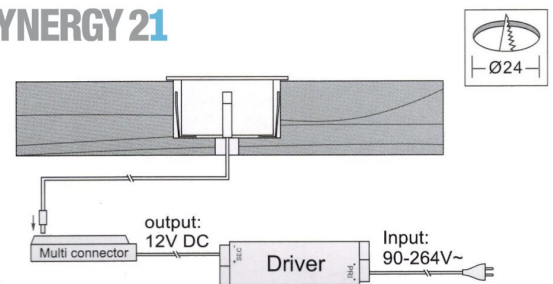
Attribute	Value
CC oder CV:	CV
Dimmbar:	abhängig vom Netzteil
Grösse:	30*18,5
LED - Gehäusefarbe:	silber
LED - Gehäusematerial:	Edelstahl

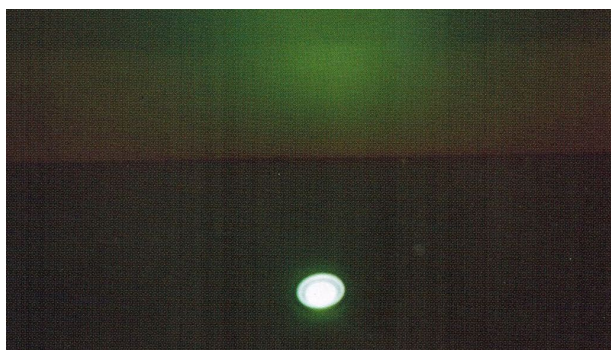
Attribute	Value
Lichtfarbe:	kaltweiß
Lichtfarbe in Kelvin:	6000
Schutzklasse:	IP54
Volt:	12
Weight:	0.02 Kg
Warranty:	60.00 Months

## Additional Images



### SYNERGY 21





## Accessories

Part No.	Name
109415	Synergy 21 LED recessed floor spotlight ARGOS with power supply 12V /
109419	Synergy 21 ARGOS LED in-ground spotlight with extension cable