

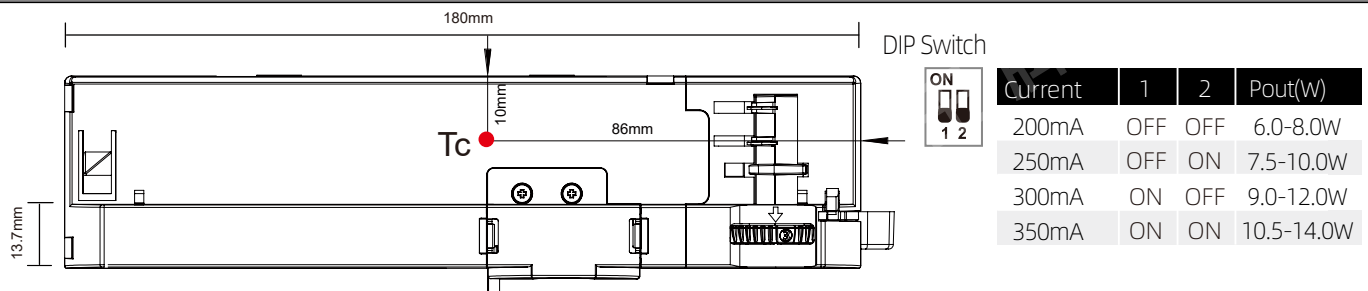
Datasheet I 4 wires 3 circuits TRIAC dimming ultimate adaptor-15W



Picture for reference only

Product code	PRO-UAT415S
Color	Black / Grey / White
Color code	RAL 9011/7040/9010
Main materials	PC UL94V0+Copper
Inner package QTY	N/A
Unit weight	N/A g
Outer package QTY	50 PCS
Gross weight	N/Akg
Package size	370*255*288mm
Voltage & Max.load	220~240Vac, 50/60Hz, Fmax.=50N

Dimensions (mm)



Notes:
used for 3 circuits track system
Screws enclosed, nipple optional

Max units per circuit breaker:
B16:27
B10:17

Notes:
Before use, choose the right current

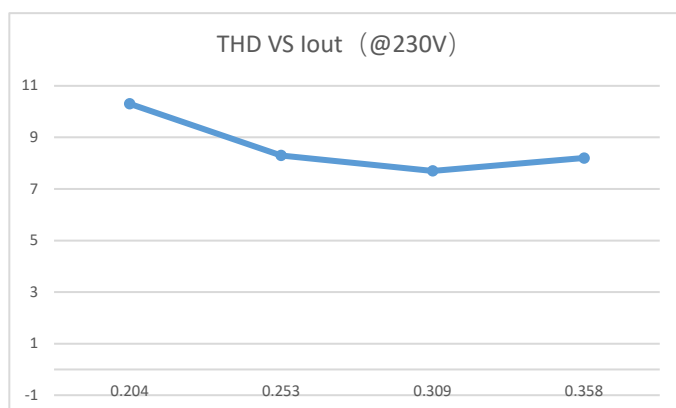
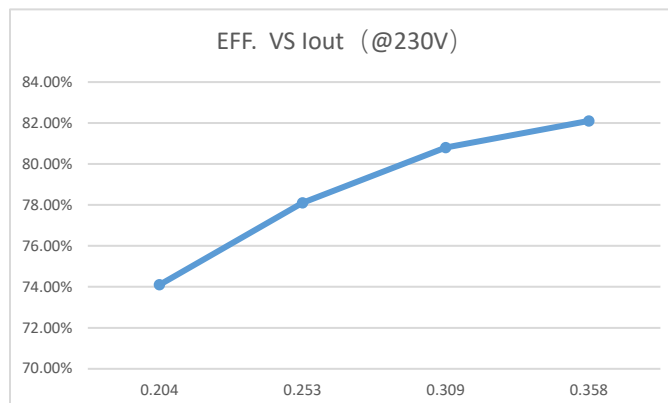
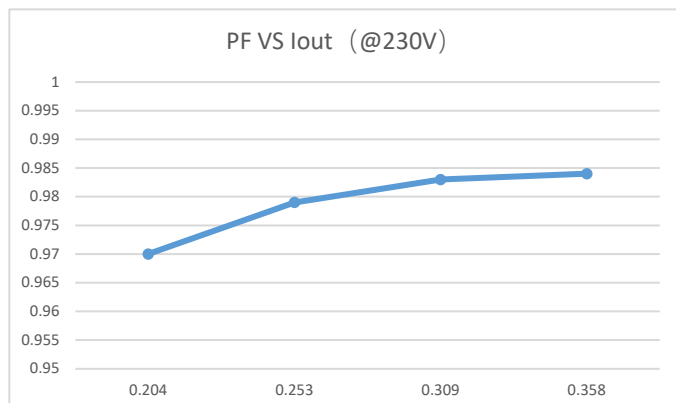
Specification

Voltage (Uin)	Nominal Voltage:220-240Vac; AC Voltage:198-264Vac
Current (Iin)	100mA Max.
THD	< 12%, @Full Load, 230Vac 50Hz
Power Factor	> 0.95, @230Vac 50Hz
Efficiency	82%, @Full Load, 230Vac 50Hz, Typical
Inrush Current	< 25A (at 50% Ipeak Test twidth=190us@AC240V)
Voltage (Uout)	30-40Vdc,, Max.Voltage 55Vdc Max.
Current (Iout)	200/250/300/350mA ±10% (@30-40Vdc), ±7% (@32-38Vdc)
Power (Pout)	8W/10W/12W/14W
Standards	IEC 61347-1,IEC 61347-2-13,IEC 62384,IEC 61000-3-2,IEC 61000-3-3,IEC 61547,IEC 55015,IEC 61000 4-11...
Ta / Tc:	0°C~35°C / 65°C
Surge:	L / N 1Kv, LN / PE 2Kv, acc. IEC 61574
Protection	Short-circuit, Open-circuit, Overload,
Expected Lifetime	50.000 hours

Current Ripple < 3%
(≤1000Hz,ripple/average)



Drive parameters



Dimming function

Dimming: Dimmable

Dimming range: 5...100%

Dimmer model: Trailing edge

JUNG 1730DD

JUNG 1731DD

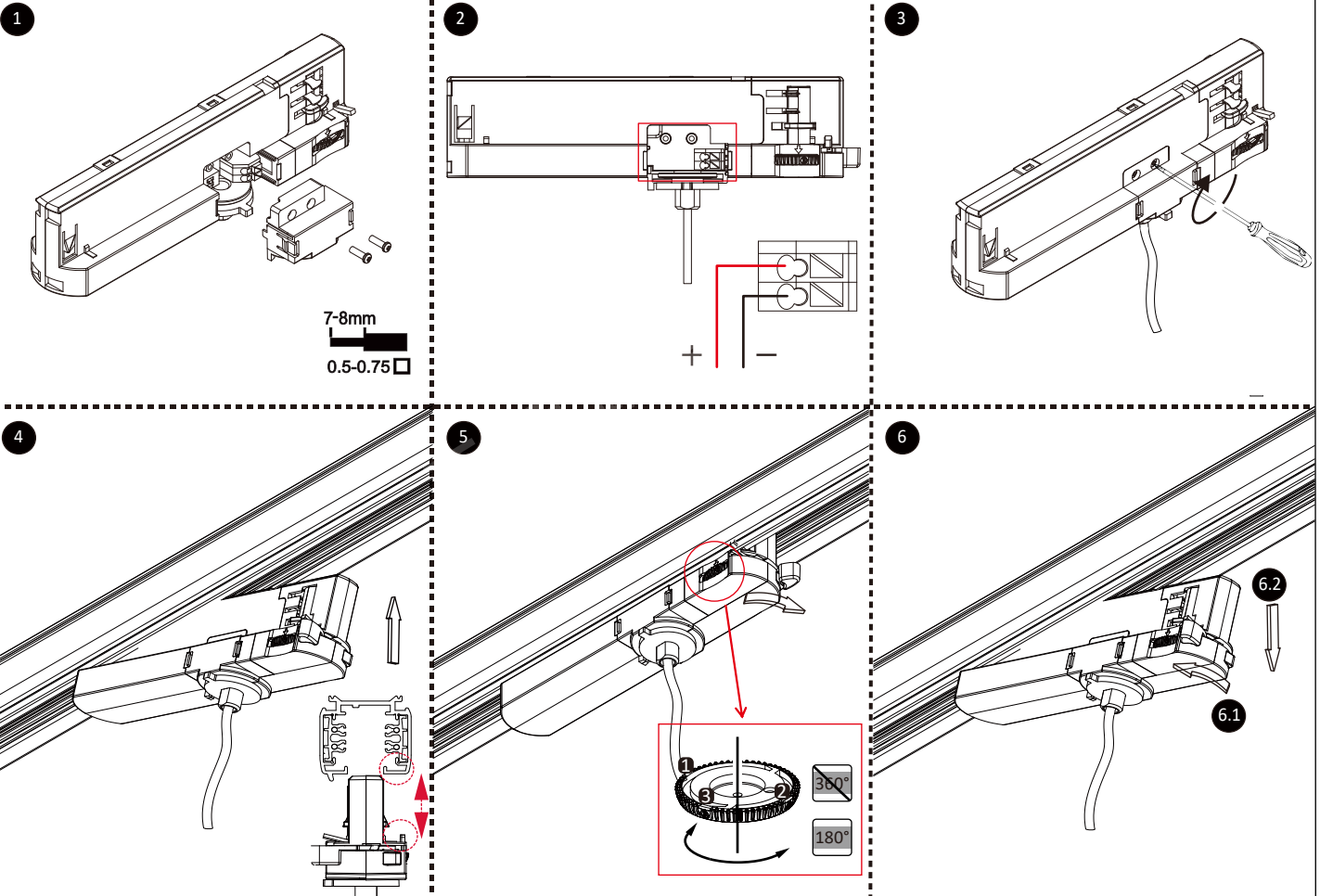
Busch-Jaeger 6523-UR103

JUNG 243EX (Tronic)

ION Industries 350W-MKII

.....

Installation schematic Please read this instruction carefully before installing the product



Simple troubleshooting

1. The in-track adaptor doesn't work: Please check the "+" and "-" polarity of the luminaire, do not reverse the connection, and ensure the wiring is firm;
2. The handle rotates difficultly: There is directional requirement when installing the product, please refer to Figure 4;
3. Unable to dismount from the track: Please refer to Figure 6. It cannot be dismounted if the operation sequence is wrong.

Disclaimer

1. It is forbidden to apply paint, glue, etc. to this product;
2. It is recommended to use POWERGEAR track system or the promised brand track;
3. This product is suitable for indoors, not outdoors;
4. This product has passed the safety and electromagnetic compatibility certification, because the margin of electromagnetic compatibility is related to the length of the lamp wire and the wiring method, please reconfirm before use;
5. If the structure or wiring of this product is not used/modified according to the instructions, resulting in damage to this product or related products, POWERGEAR doesn't continue to maintain the after-sales commitment;
6. Product optimization and version upgrade will not be prior noticed. Please refer to the actual product received. If you have any questions, please contact our sales staff in time;
7. POWERGEAR reserves the right of final interpretation of this product.

Notes:

1. The LED driver relies upon the luminaire enclosure for protection against accidental contact with live parts.
2. The LED driver is used for track system mounted on ceiling.
3. The components are unsuitable for the connection of inductive loads.
4. It is the user's responsibility to ensure electrical, mechanical and thermal compatibility between the track system and luminaires attached to it.

