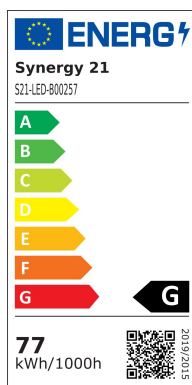


Synergy 21 LED Flex Strip NEON TB NW DC24V



| | |
|----------------------------|------------|
| kwh/1000h: | 77,00 |
| Lumens: | 4000 |
| Watt: | 70,0 |
| Nominal Service Life: | 35000 Std. |
| Switching Cycles: | 50000 |
| Opt. Ambient Temperature.: | 25 °C |



Synergy 21 LED Flex Strip NEON TB Series
TB= top bend, bend up and down, not sideways
If you want to bend sideways, please select the NEON SB series

Length: 5m
Voltage: 24V,
Watt: 14W/m, 70W ±10%
Light colour: neutral white, 4500K, CRI>80
Brightness: 800lm/m, total: 4000lm ±10%
Beam angle: 120°
Protection class: IP40
Number of LEDs: 120/m, SMD2835
Dimensions: 5000*17*15 mm (L*W*H)
Working temperature: -20°C to +45°C
Can be shortened every 50mm
Adhesive tape: no

Energy efficiency class: A
kWh/1000h: 77

Strip can be shortened at the cut marks with sharp scissors.
!Attention! Strip must be checked for functionality beforehand.
Only split the strip when no current is present.

There are a variety of mounting options, such as clips, permanently elastic mounting adhesive, cable ties, etc.

See accessories

Please note that LED strips must also be cooled.

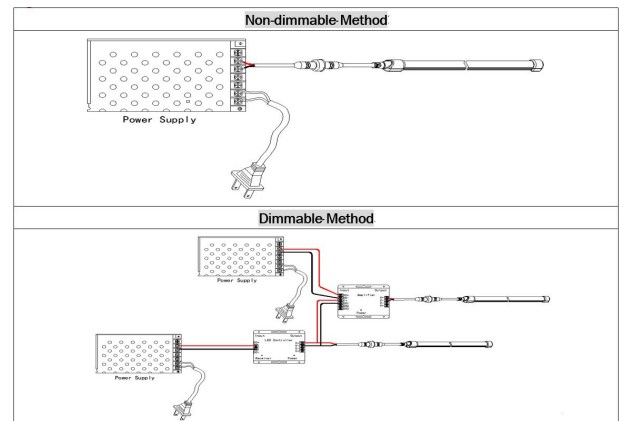
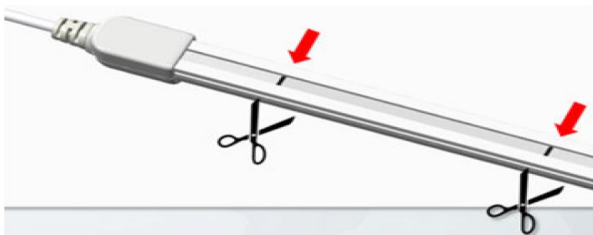
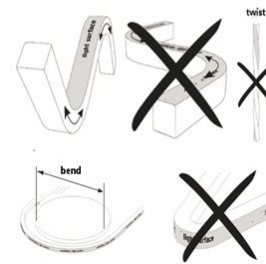
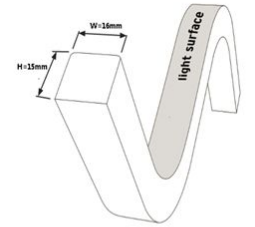
Make sure that the LED strip does not exceed the working temperature of 40°C, otherwise the service life cannot be guaranteed.

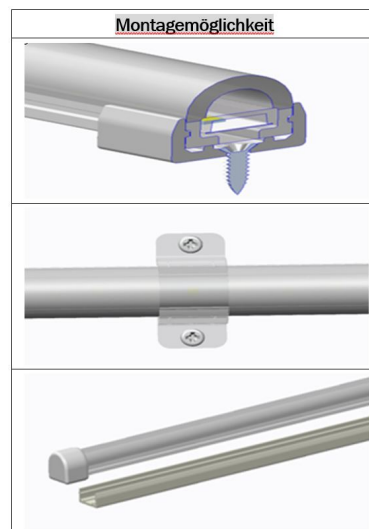
No guarantee can be given for overheated LED strips.

Attributes

| Attribute | Value |
|-----------------------|-----------------------|
| Abstrahlwinkel: | 120 |
| Ampere: | 2.90 |
| CC oder CV: | CV |
| CRI: | >80 |
| Dimmbar: | abhängig vom Netzteil |
| Länge: | 5 |
| LED Strip Klebeband: | nein |
| LED Strip Breite: | 17 |
| LED Strip Höhe: | 15 |
| LED Strip Klebeband: | nein |
| LED Strip kürzbar: | 50 |
| LED Strip Länge: | 5000 |
| Lichtfabe in Kelvin: | 4500 |
| Lichtfarbe: | neutralweiß |
| Lichtfarbe in Kelvin: | 4500 |
| Lichtfarbe Name: | neutralweiß |
| Lumen: | 4000 |
| Schutzklasse: | IP65 |
| Volt: | 24 |
| Weight: | 5 Kg |

Additional Images





Accessories

| Sign. | Wiring Method | Power Feeder Cable To PCB | Power Feeder Cable To Head | Front Cap | Light Beam | End Cap | Mounting Method |
|----------|---------------|---------------------------------------|---|-----------|------------|---------|------------------|
| Top-Bend | flat side | 300mm waterproof cable with male plug | 300mm waterproof cable with female plug | Front Cap | Light Beam | End Cap | Bracket |
| | edge side | | 300mm waterproof cable with female plug | Front Cap | Light Beam | End Cap | Clip |
| | bottom side | | 300mm waterproof cable with female plug | Front Cap | Light Beam | End Cap | aluminum channel |

Accessories

| Part No. | Name |
|----------|--|
| 153192 | Synergy 21 LED Flex Strip NEON TB zub. Anschluss gerade |
| 153193 | Synergy 21 LED Flex Strip NEON TB add. Lateral connection |
| 153198 | Synergy 21 LED Flex Strip NEON TB add. clamp |
| 153199 | Synergy 21 LED Flex Strip NEON TB zub. Clip |
| 153200 | Synergy 21 LED Flex Strip NEON TB add. rail |
| 153204 | Synergy 21 LED Flex Strip NEON SB + TB add. connection cable |

| Part No. | Name |
|----------|---|
| 125198 | Mean Well Power Supply - 24V 150W IP67 |
| 93682 | Mean Well Power Supply - 24V 150W Dimmable IP65 |