


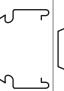





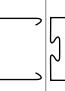








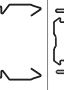
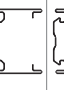


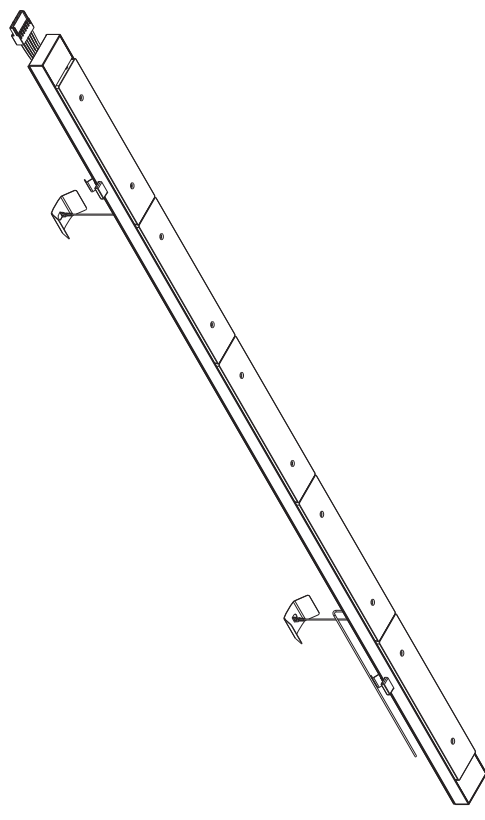


Compatible list

ITEM	Brand	Trunk name	Trunk
1	Trilux	07650XX	
2	Trilux	07690XX	
3	Zumtobel	ZX2	
4	Regiolux	SDT	
5	AEG/PHILIPS	Maxos	
6	Philips	TTX400	
7	Lite Licht	E-STN	
8	RIDI	NEW VLT	
9	Zumtobel	ZX1	
10	Siemens	5U80XX	
11	Siemens	5LS8..	

ITEM	Brand	Trunk name	Trunk
12	Siteco	Modario	
13	Ludwig	TR50W	
14	Antaris	Antaris	
15	Kandem	SV70,SV75	
16	RZB	Planos	
17	Norton	NSL	
18	Fluolite	TRX/TRZ	
19	Thron	090554/098287	
20	OMS	Prestige	
21	MOLTOMX	Prestige	
22	VEKO	PRN	



Safety notes:

The installation and connection of the luminaire must be done when switched off and by qualified people. Make sure no voltage while installation.

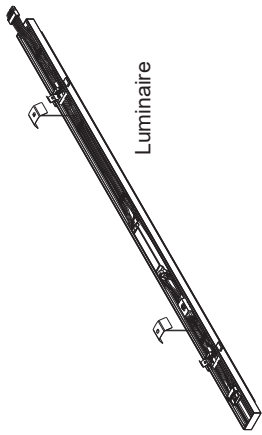
Maintenance

- To avoid injuries, disconnect power to the light and allow the unit to cool down before performing maintenance.
- Perform visual, mechanical and electrical inspections on a regular basis. We recommend routine checks to be made on an annual basis. Frequency of use and environment should determine this.
- The Covers should be cleaned periodically as needed to ensure continued photometric performance. Clean the Cover with a damp, non-abrasive, lintfree cloth. If not sufficient, use mild soap or a liquid cleaner. Do not use an abrasive, strong alkaline or acid cleaner as damage may occur.
- Inspect the top/side on the luminaire to ensure that it is free of any obstructions or contamination (i.e. excessive dust build-up). Clean with a non-abrasive cloth if needed.



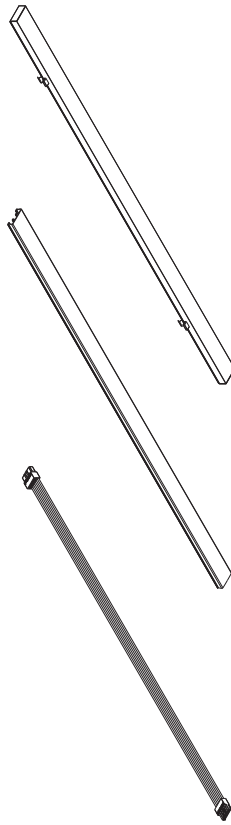
This product contains a light source of energy efficiency class C.

Led Module



Luminaire

Optional Accessories



Connecting cable

PC blind cover

AL blind cover



Special extra spring



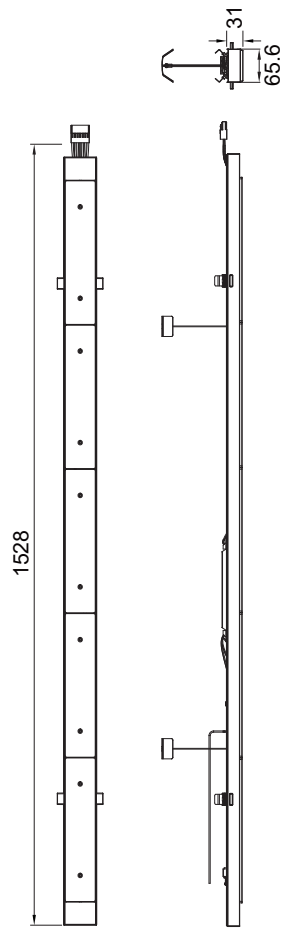
Feed in connector



Feed end connector

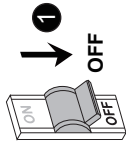
Dimensions

[mm]

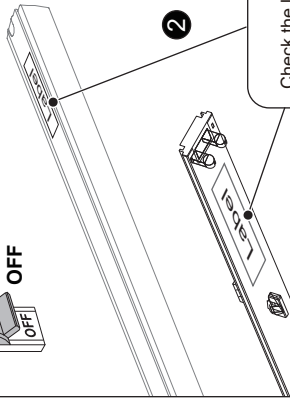


1

Please check existing label on the old system, and find the corresponding model in the compatibility list.



1

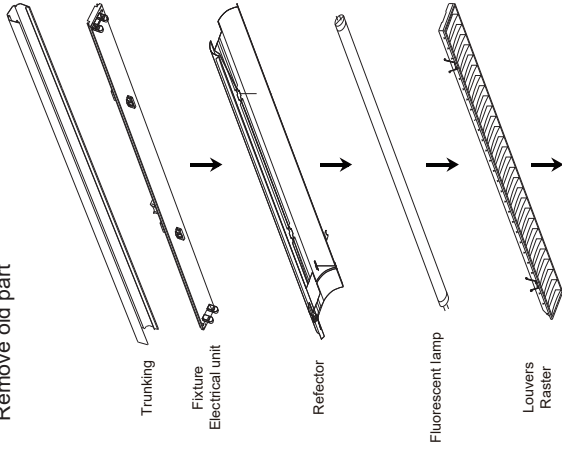


2

Check the label

2

Remove old part



Trunking

Fixture Electrical unit

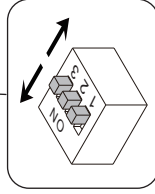
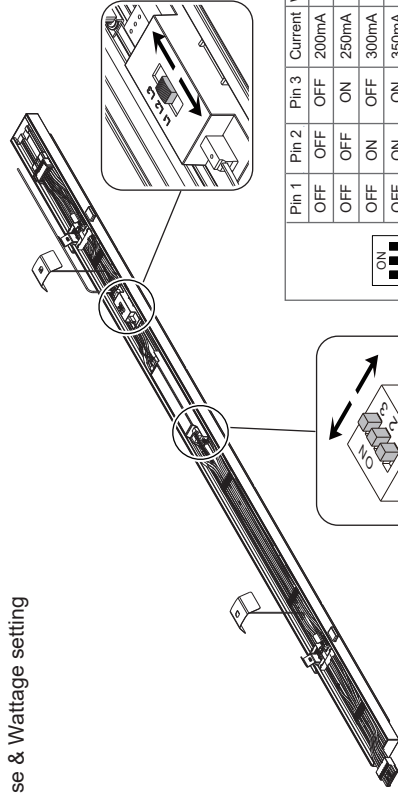
Reflector

Fluorescent lamp

Louvers Raster

3

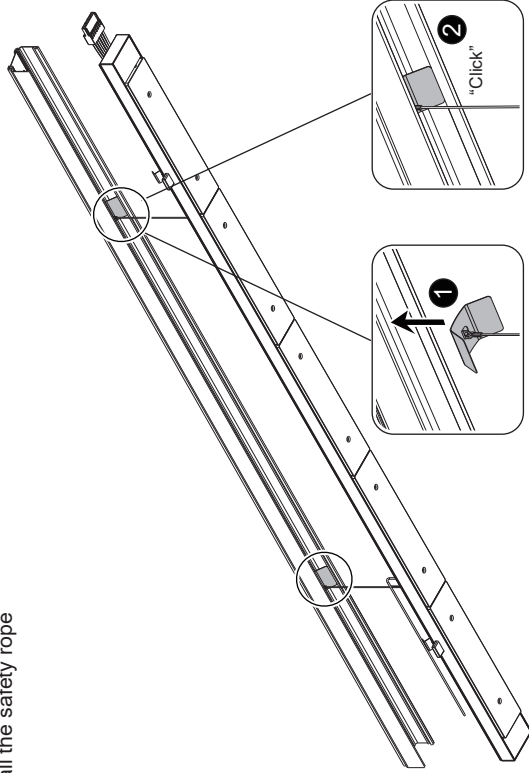
Phase & Wattage setting



Pin 1	Pin 2	Pin 3	Current	Wattage
OFF	OFF	OFF	200mA	27W
OFF	OFF	ON	250mA	34W
OFF	ON	OFF	300mA	40W
OFF	ON	ON	350mA	47W
ON	OFF	OFF	400mA	55W
ON	OFF	ON	450mA	61W
ON	ON	OFF	500mA	68W
ON	ON	ON	550mA	75W

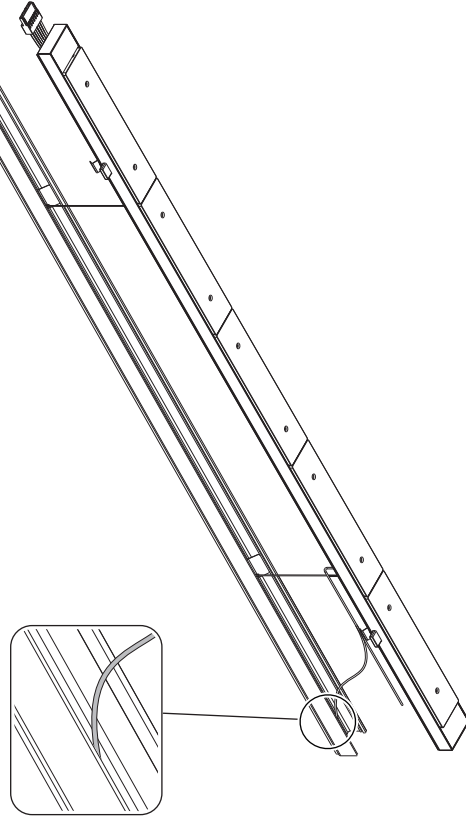
4

Install the safety rope



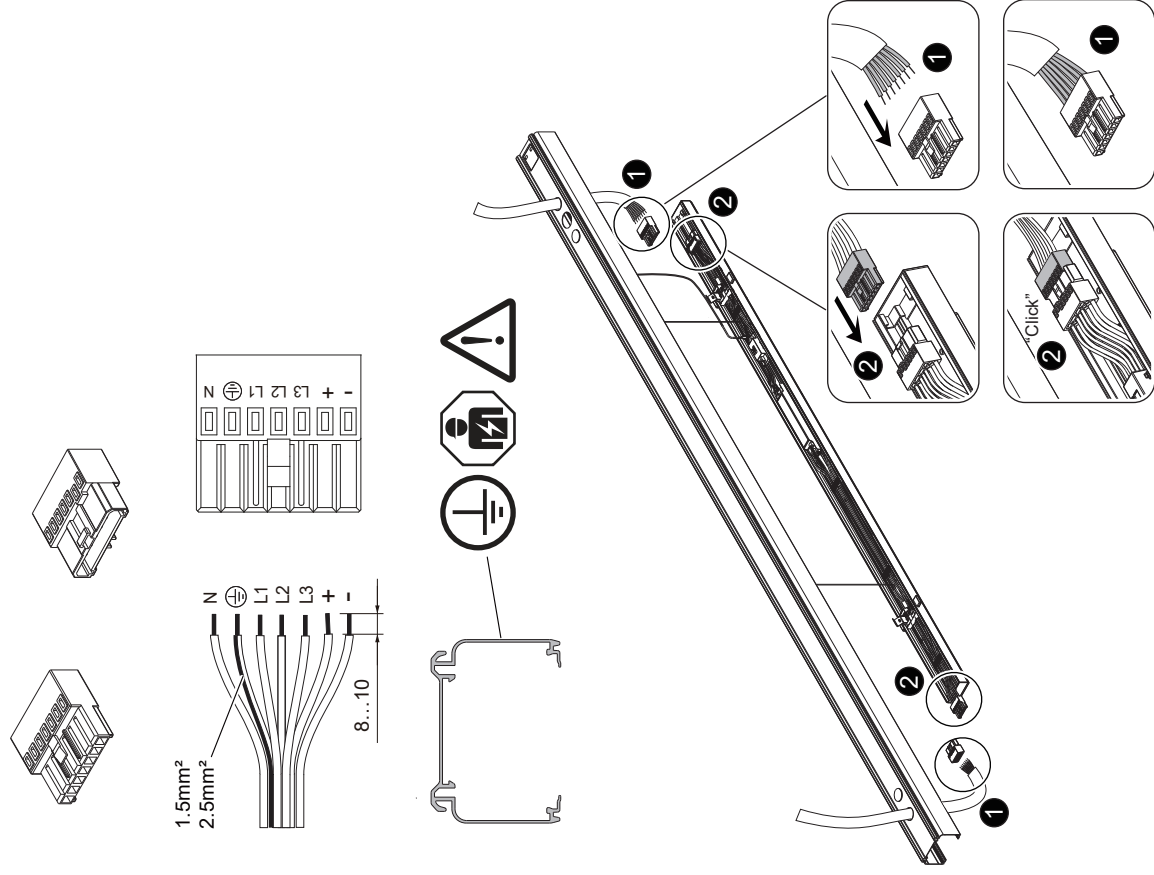
5

Ground protection (Option)

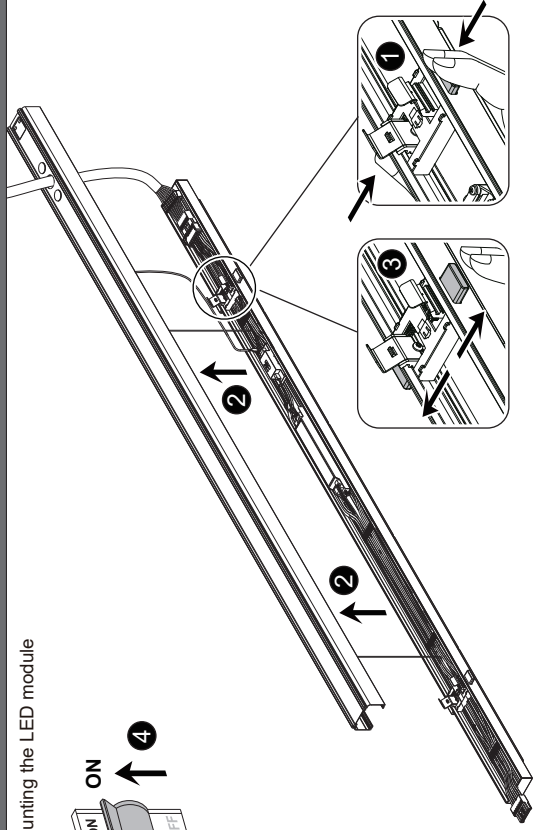
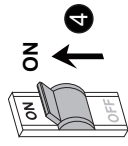


6

Connecting Power Supply

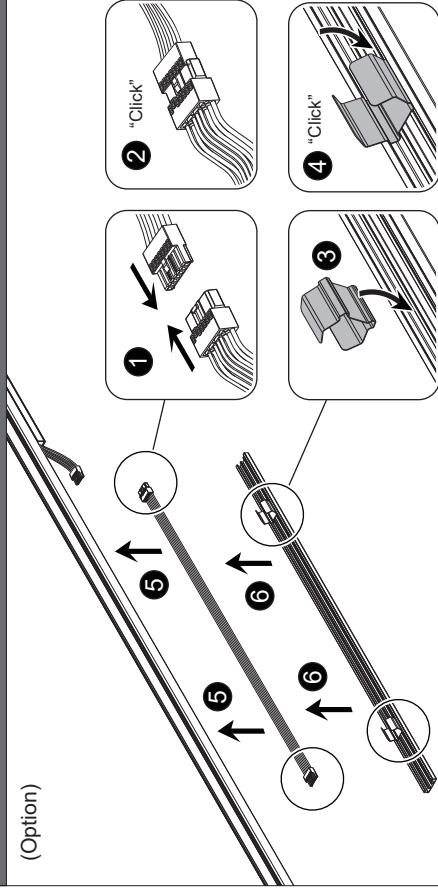


Mounting the LED module



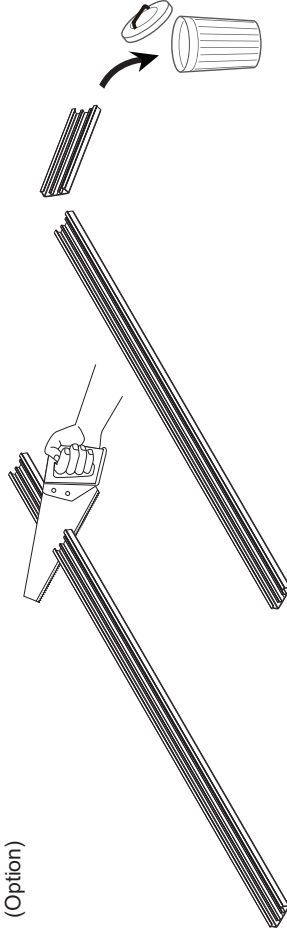
Mounting PC Blind Cover

(Option)



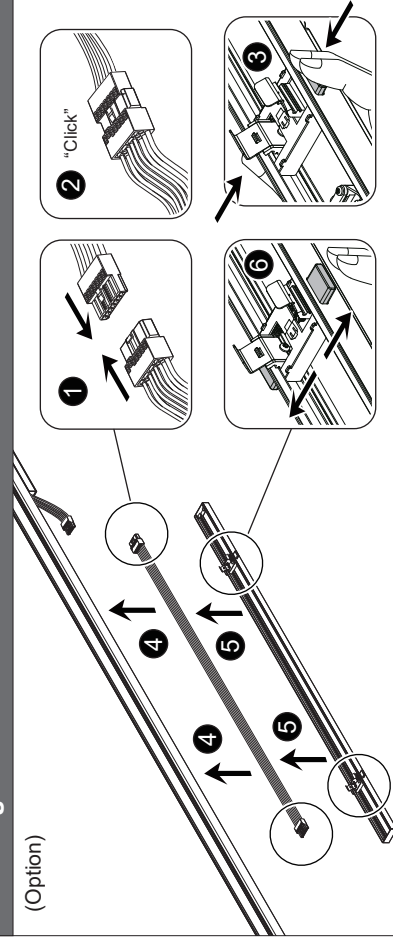
Cut the blind cover to desired length

(Option)



Mounting AL Blind Cover

(Option)



Mounting next led module

(Option)

