

SYNERGY 21

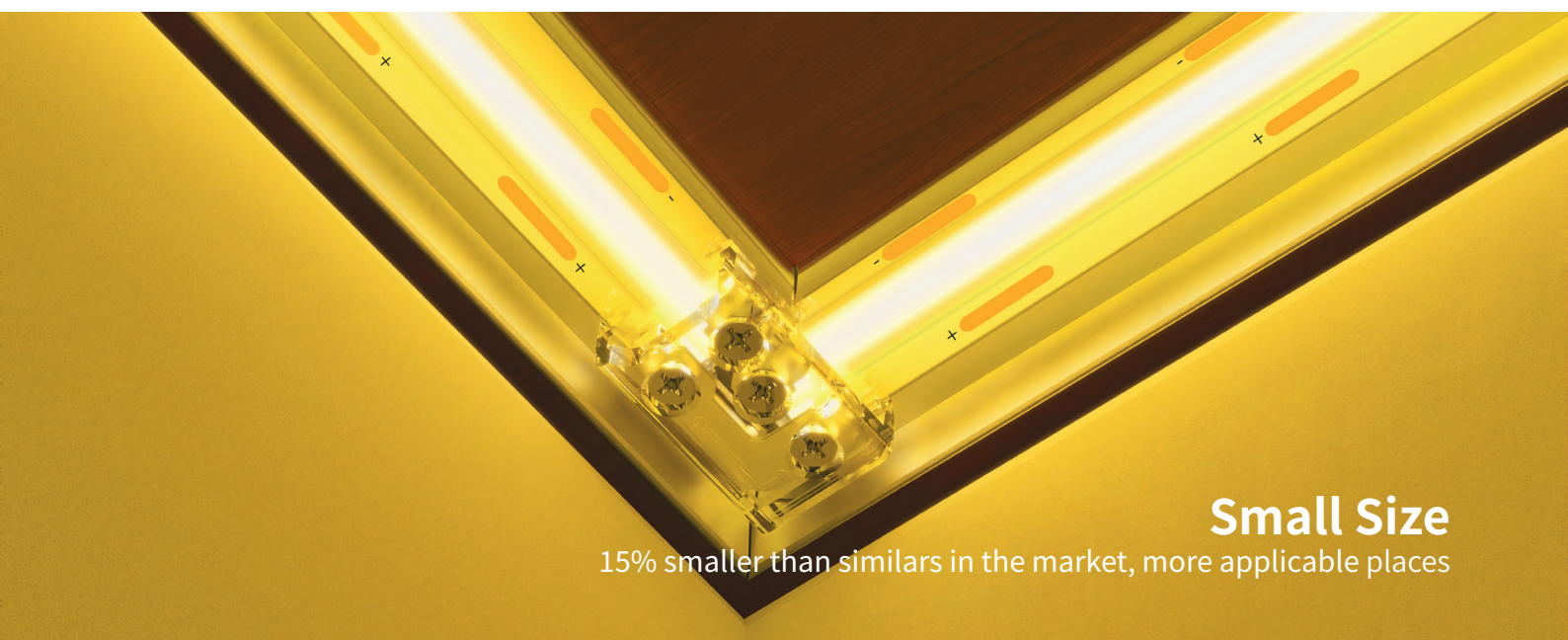
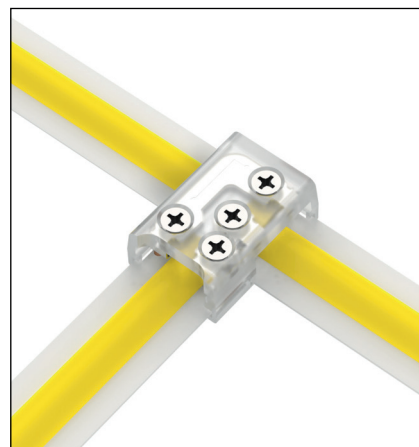
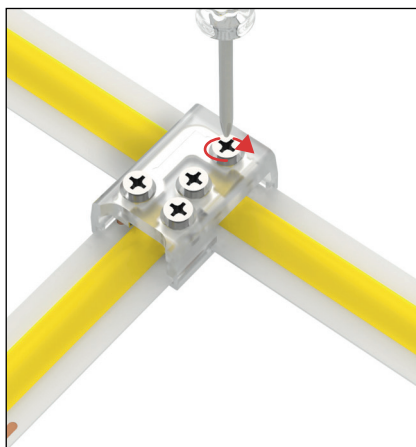
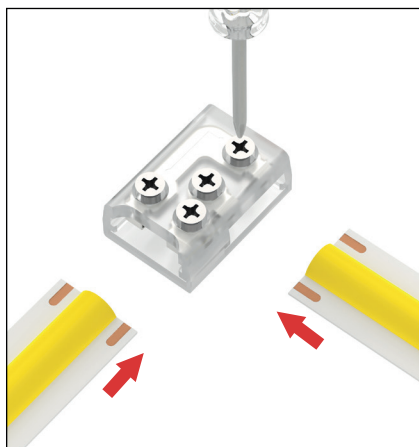
Screw Fixing

Workable with both rigid and flexible COB/SMD strip light

FEATURES

Easy to Use

Fix and connect by screw that anyone can operate

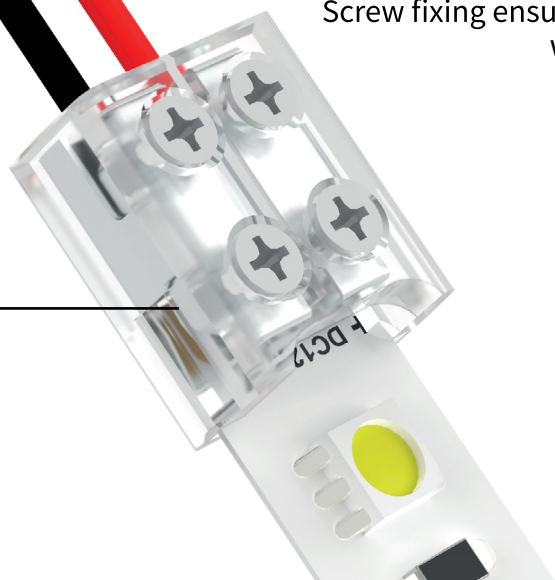
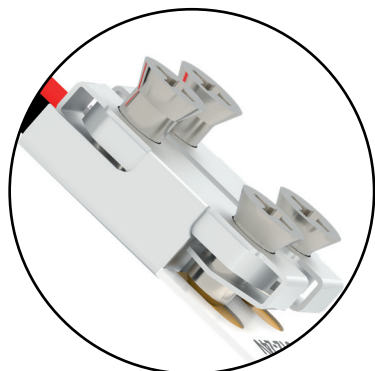


Small Size

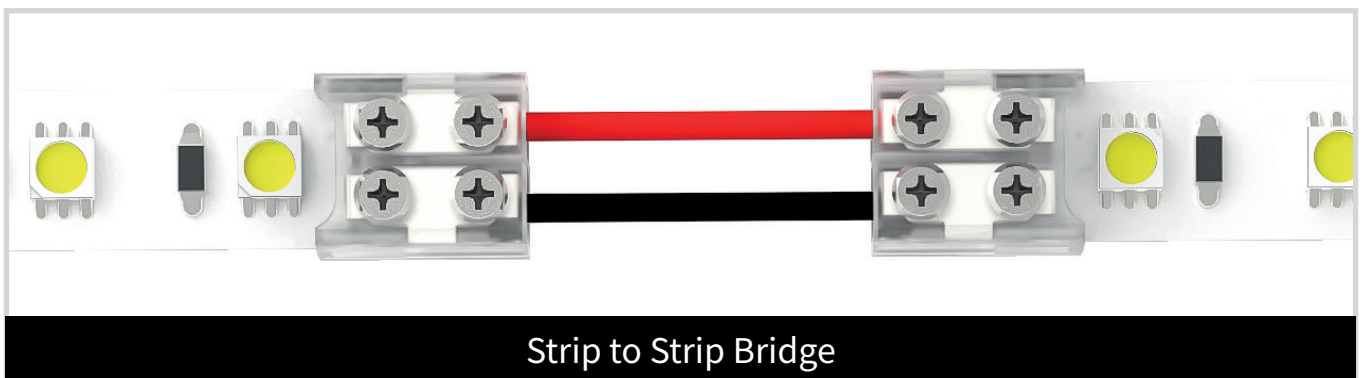
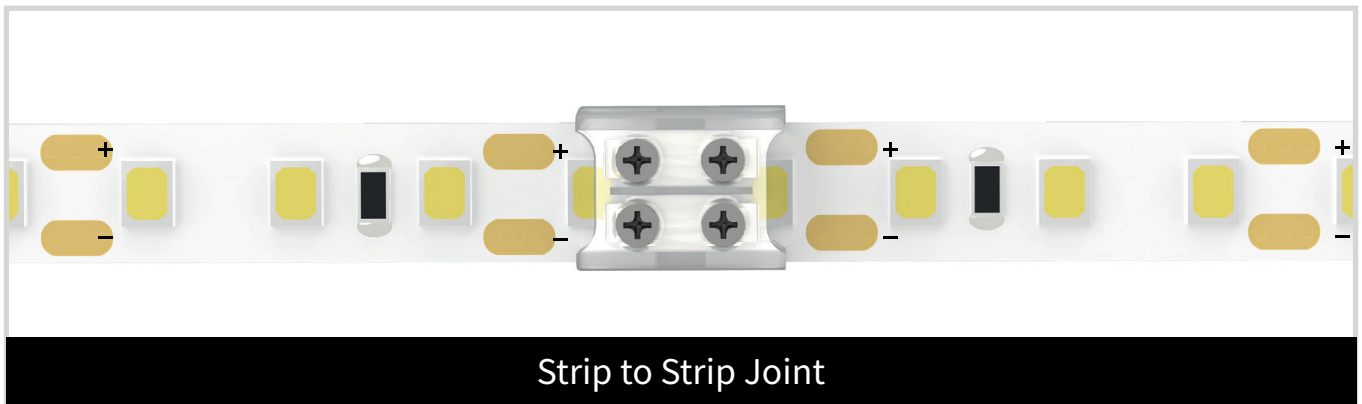
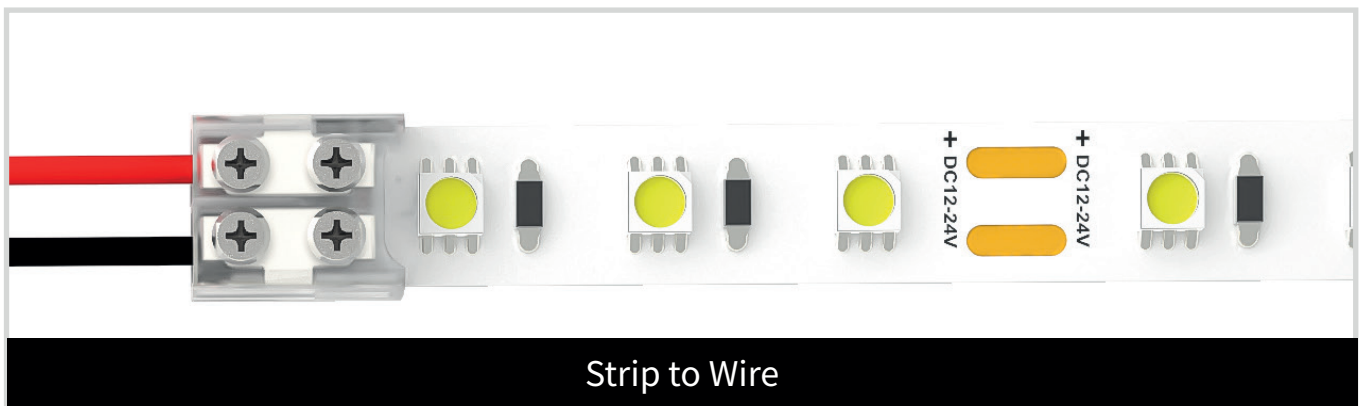
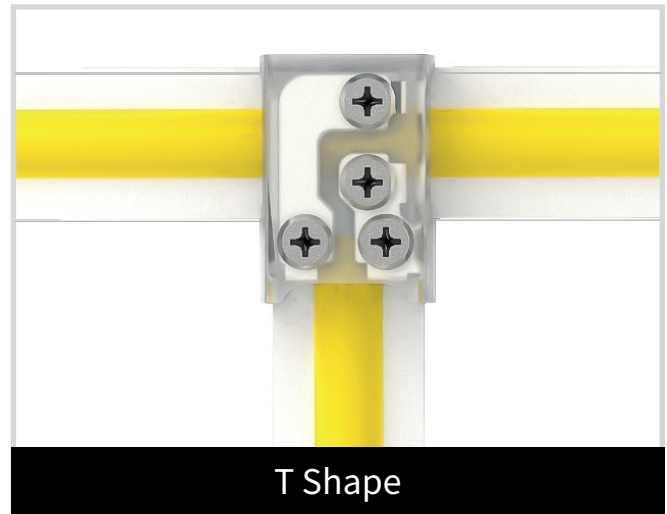
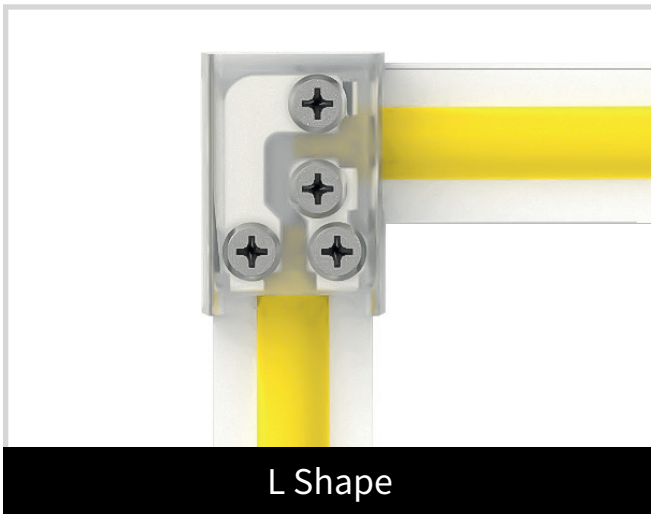
15% smaller than similars in the market, more applicable places

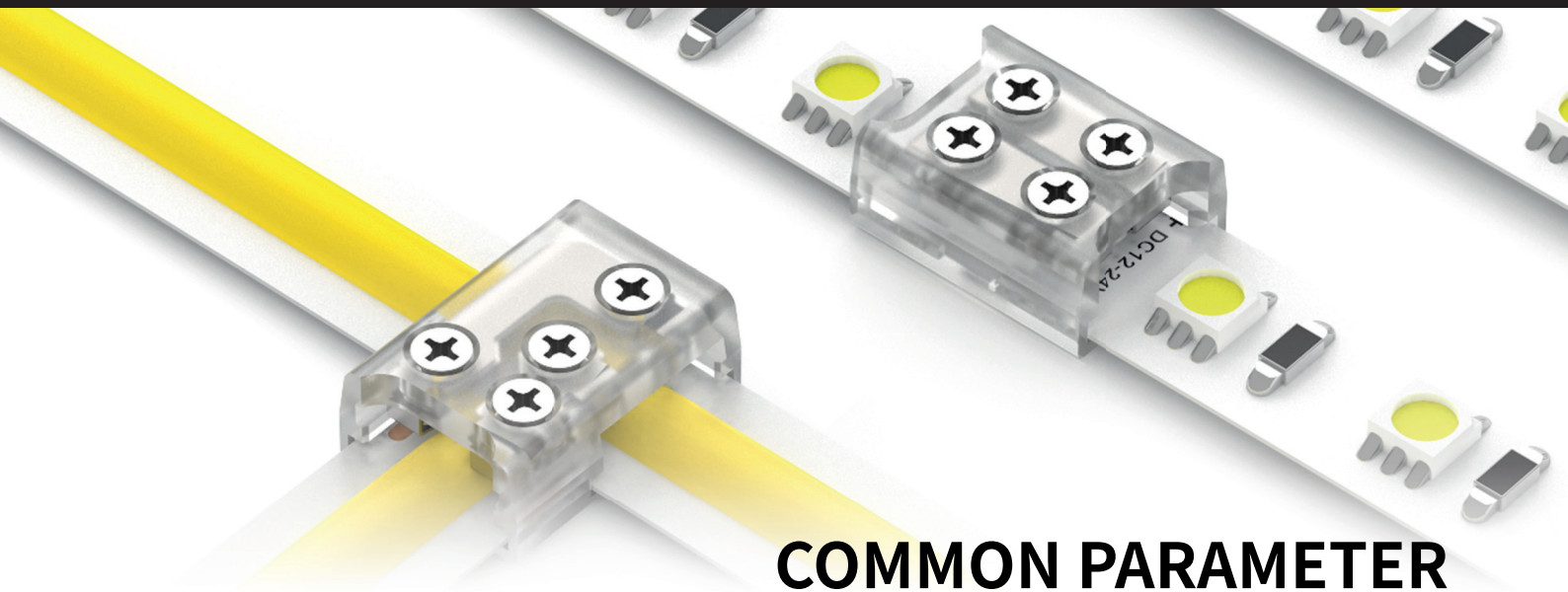
Stable Current

Screw fixing ensure contact area firm enough while working, which makes current pass stably



CONNECTION FORM









COMMON PARAMETER

LED Strip Width:	8mm / 10mm
Pin Quantity:	2 Pins
Material:	Polycarbonate (PC), Copper
LED Strip IP Rating:	IP20
Working Voltage:	DC3~24V
Working Current:	Max 3.5~5A(Depend On Item NO. and PCB to work with)
Wire Gauge:	Work with 22AWG/0.32mm ² ~14AWG/2mm ²
Wire Length:	No wire in default
LED Strip Thickness:	Below 1.0 mm
LED Light Type:	SMD / COB
LED Density:	No limit to COB, SMD Depends on SMD Size
Standard Package Method:	PE Bag + Label + Carton




Customization is acceptable, wire length, gauge, color and connector, etc.

SELECTION

For 8mm Mono Color Strip

Item NO.	Connection Form	Dimension	Picture
266686	L Shape / T Shape	16.3*11.4*6.4mm	
266687	Strip to Strip Joint	14.6*11.5*6.4mm	
266688	Strip to Wire	13.3*11.5*6.4mm	
-	-	-	

For 10mm Mono Color Strip

Item NO.	Connection Form	Dimension	Picture
266683	L Shape / T Shape	16.3*11.4*6.4mm	
266684	Strip to Strip Joint	14.6*11.5*6.4mm	
266685	Strip to Wire	13.3*11.5*6.4mm	
-	-	-	